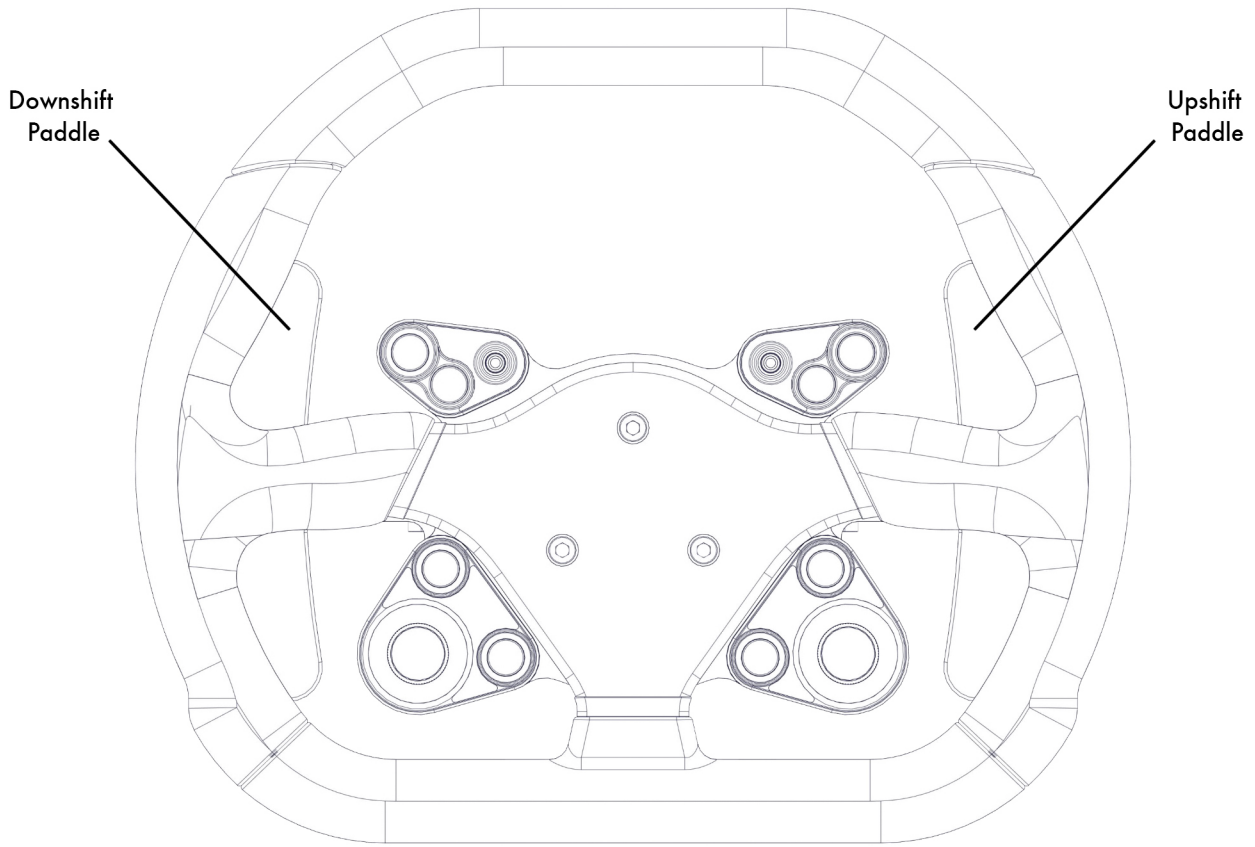
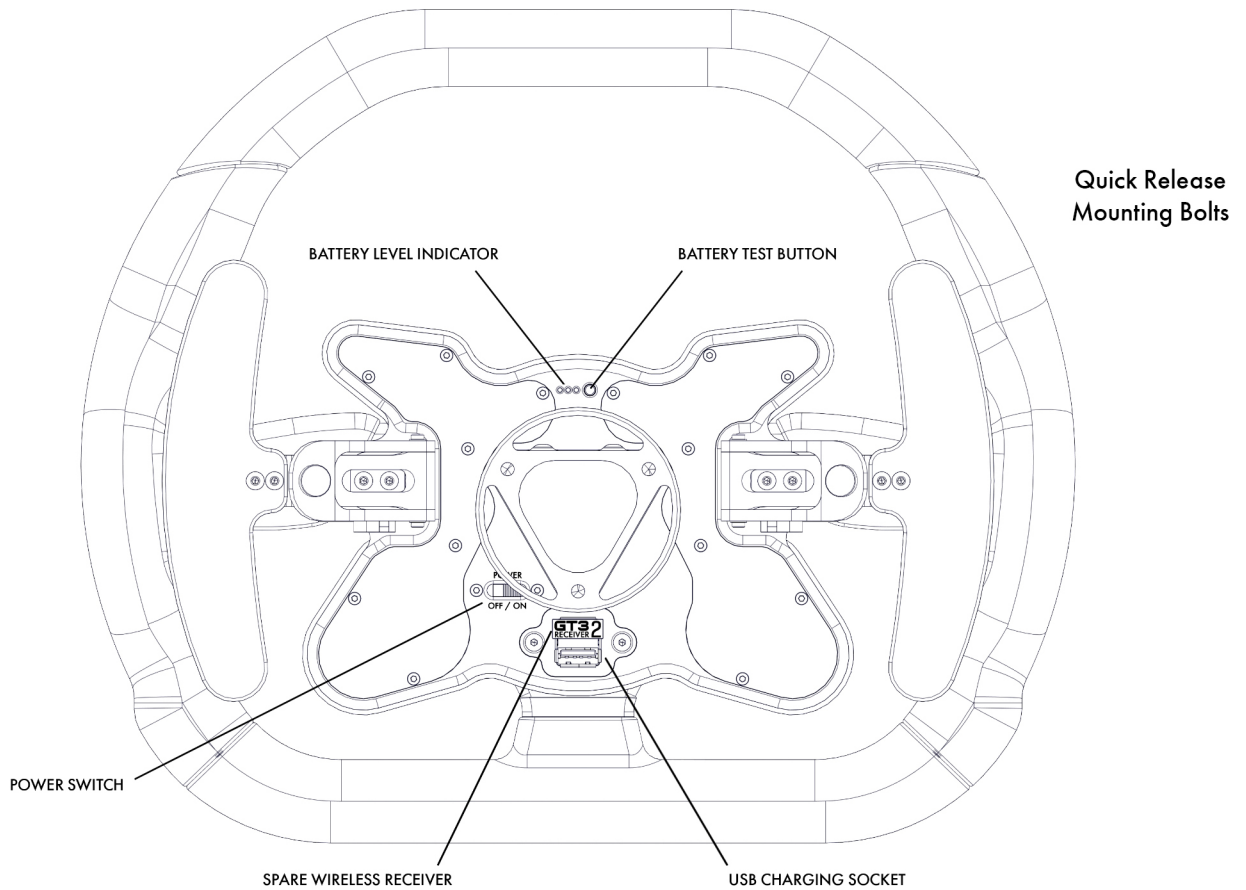


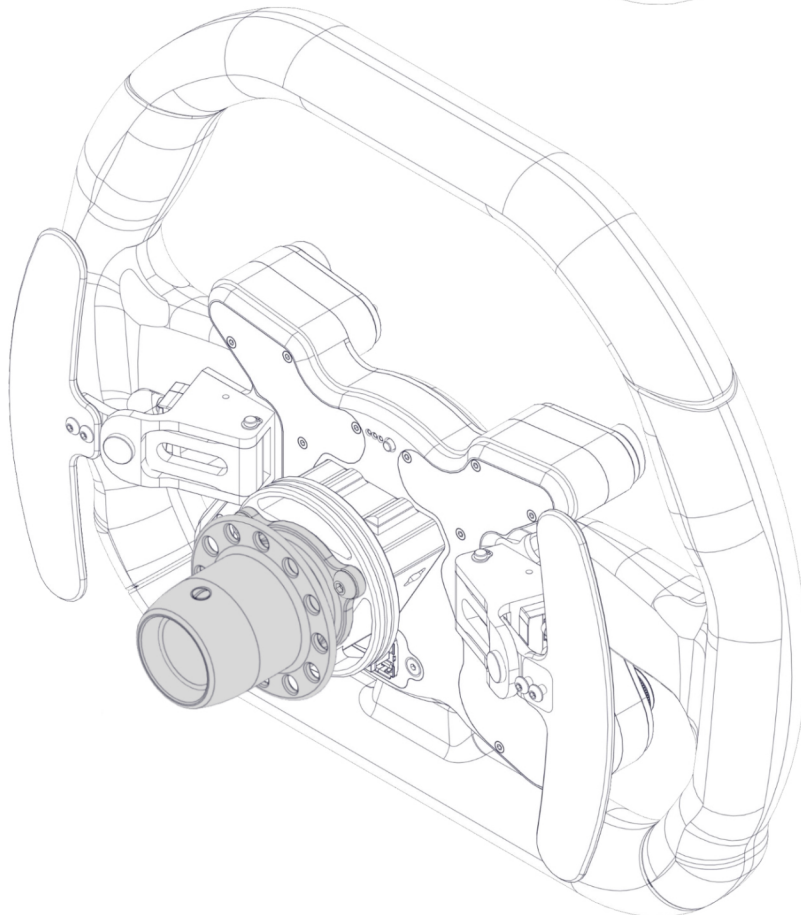
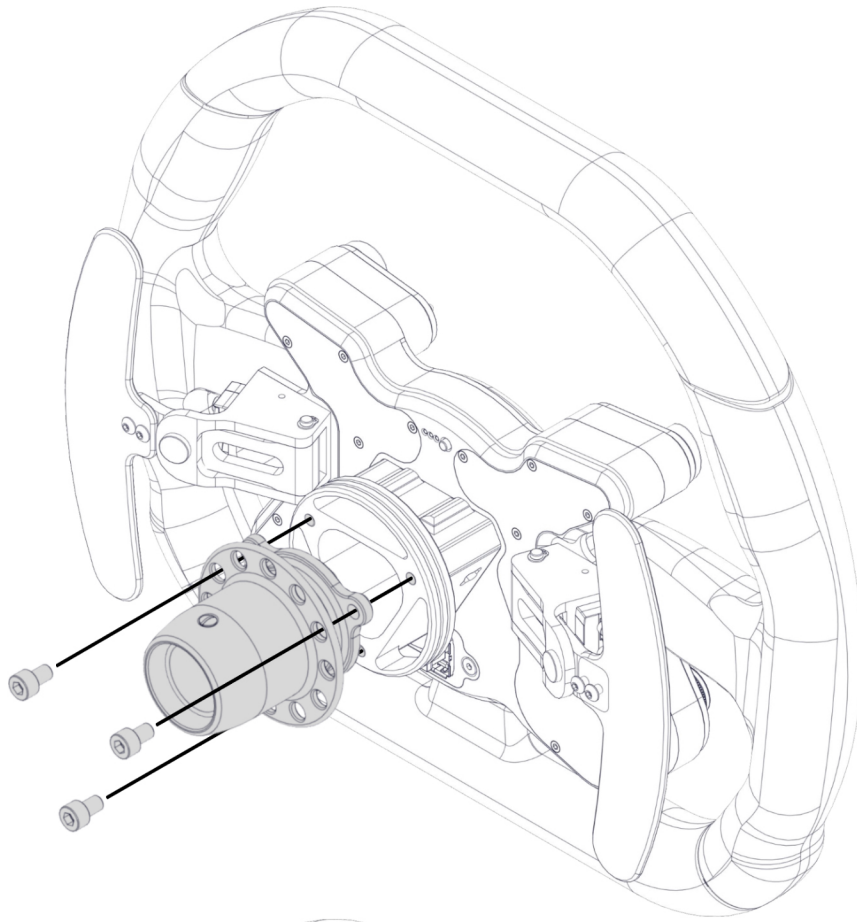
FRONT



REAR



QUICK RELEASE INSTALLATION



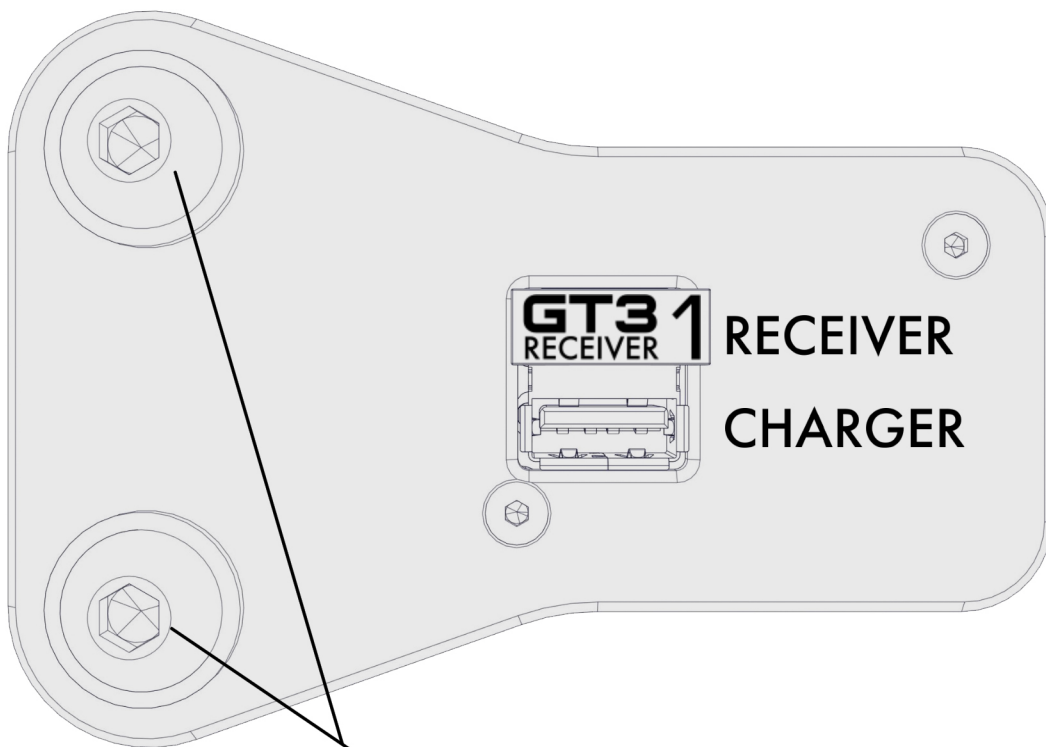
USB BRACKET LAYOUTS

STANDARD USB BRACKET



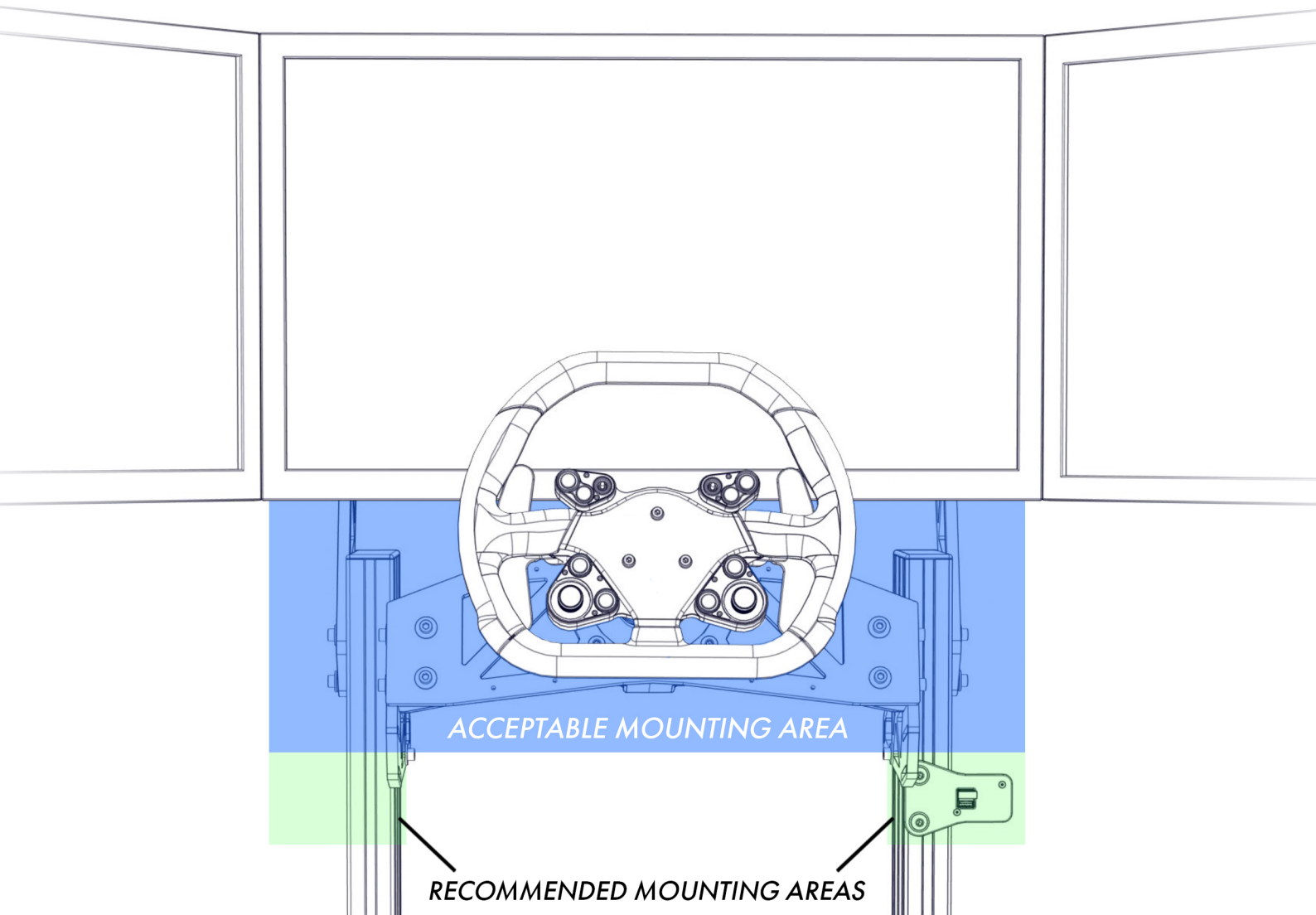
M3 MOUNTING HOLES

ALUMINIUM PROFILE USB BRACKET



M8 MOUNTING BOLTS FOR ALUMINIUM PROFILE

USB BRACKET MOUNTING SUGGESTIONS



Mount the USB Bracket within the marked areas

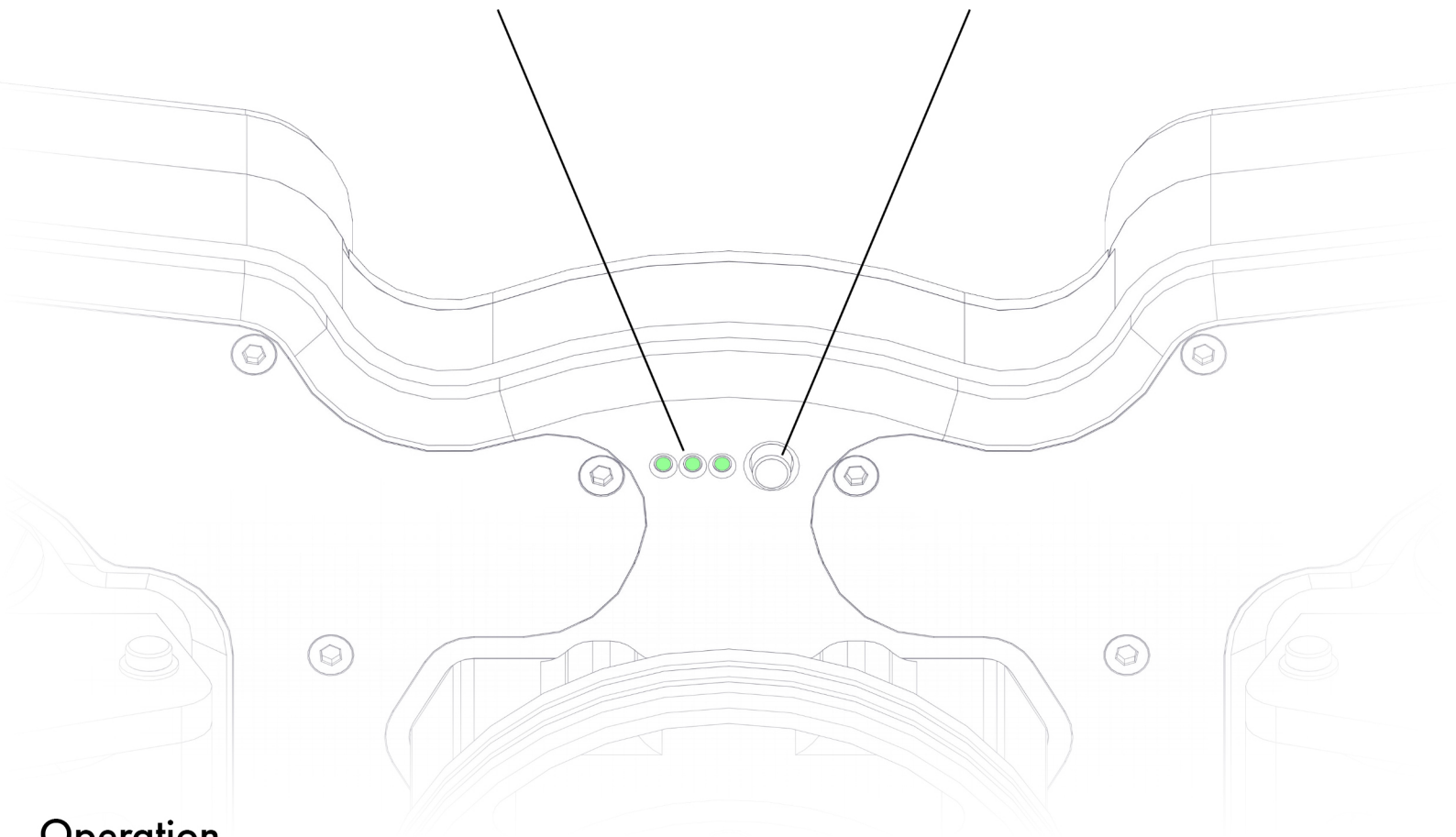
The mounting distance from the rear of the wheel should be no more than 60cm for best results

Connect the USB cable from the USB bracket directly into your PC, avoiding the use of extension cables or hubs

BATTERY MANAGMENT

BATTERY LEVEL INDICATOR

BATTERY TEST BUTTON



Operation

To use wheel, ensure that the USB BRACKET CABLE is connected directly into your PC.

Ensure that the POWER switch is set to ON.

Battery Status

To check battery level, press and hold BATTERY TEST BUTTON and view the BATTERY LEVEL INDICATOR lights.

Battery level will be shown as a value from 1-3 lights.

Charging

To charge the wheel, plug in the retractable USB cable from the USB BRACKET into the USB Charging socket on the rear of the wheel.

The BATTERY LEVEL INDICATOR lights will flash, showing that the battery is charging correctly.

Power Saving

The wheel will automatically enter low power mode when inactive for for several minutes. To wake board simply press any button on the wheel.

It is recommended to set the POWER switch to OFF when the wheel is not in use. This will extend the battery life.